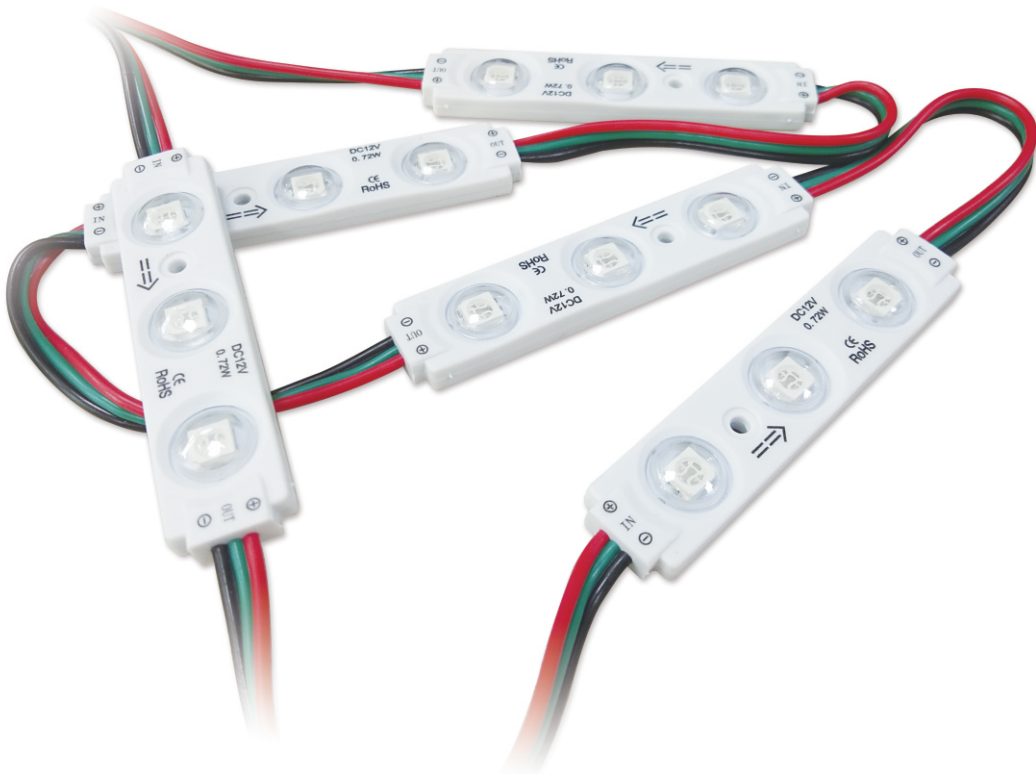


MH653C



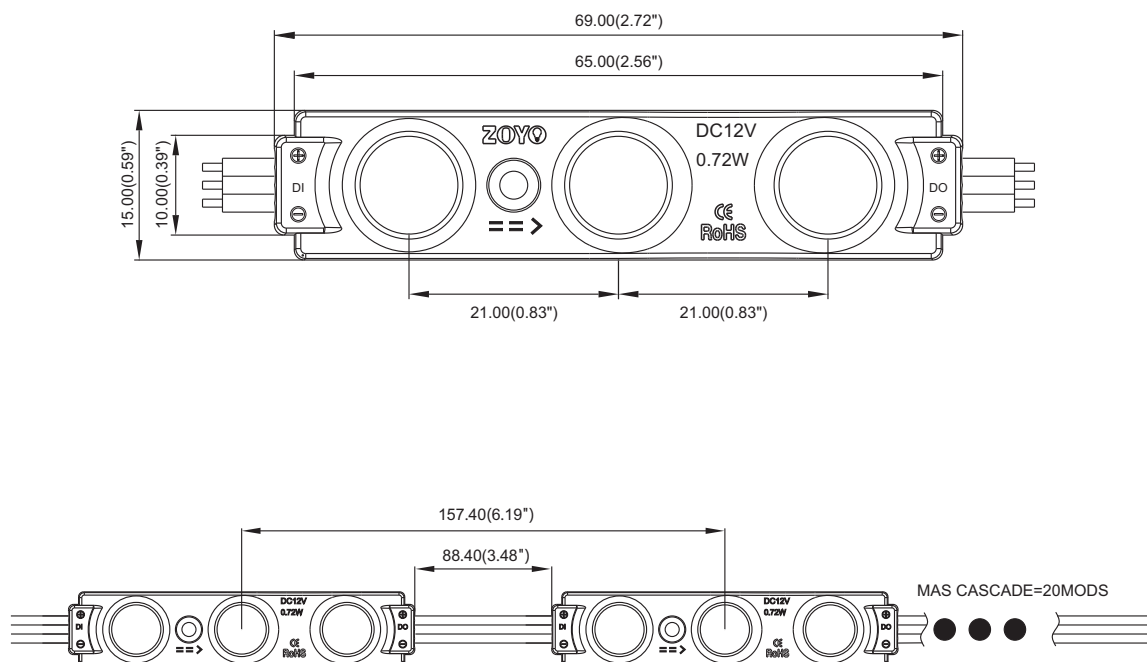
Characteristics

- SMD 5050 , IP65
- Beam angle for 140°
- UL/FCC/CE/RoHS approved
- PVC injection
- Purity aluminum PCB got better heat dissipation
- Constant current , 5 years warranty

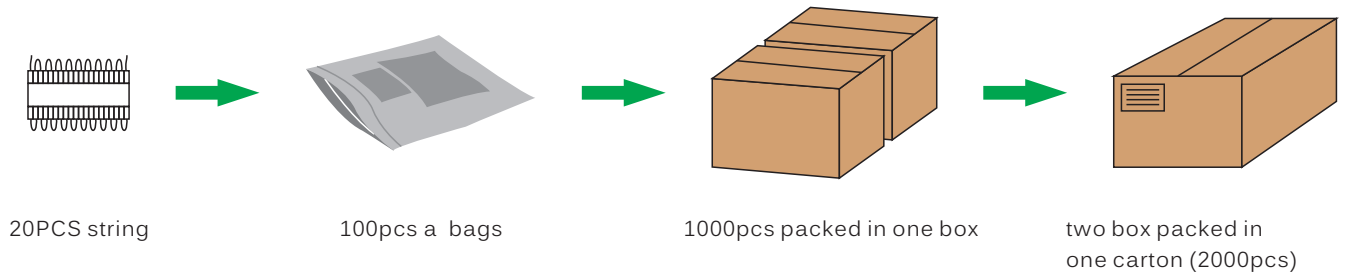
Parameter

Dimension (mm)		65*14.5*7.4mm / 2.56*0.57*0.29"		
Driving mode		Constant Current		
Concatenation (pcs)		20		
60W Power Supply Load(modules)		70		
Working temp (°)		-20~+45		
Storage temp (°)		-30~+60		
Colour	Power (w)	Luminous Flux (lm)	Efficiency (lm/w)	wavelength (nm)/ CCT (k)
Red	0.20	6	30	620-630nm
Green	0.20	15	65	515-520nm
Blue	0.20	3	15	460-470nm
White	0.65	25	35	> 100000k

Profile Drawings

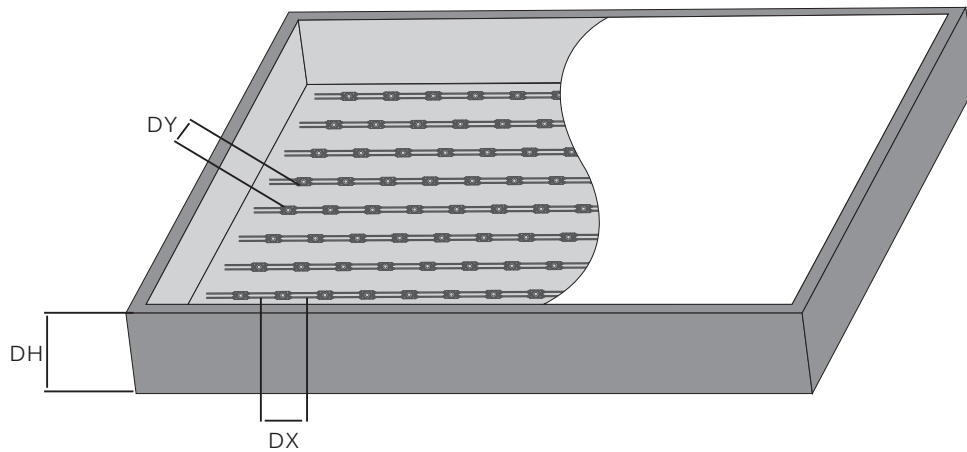


Package



Size(mm)	Gross Weight (KG)	Net Weight (KG)
530*375*275	16.8	13.5

Installation



Light box thickness DH(mm)	Module horizontal distance DX(mm)	Module vertical distance DY(mm)	Modules average in 1m ² (pcs/m ²)	Surface illumination (lux)
80	100	80	120	1048±10%