

MA293P



Characteristics

SMD 2835 , IP65

Wider beam angle for 140°

UL/FCC/CE/RoHS approved

Integrated lens

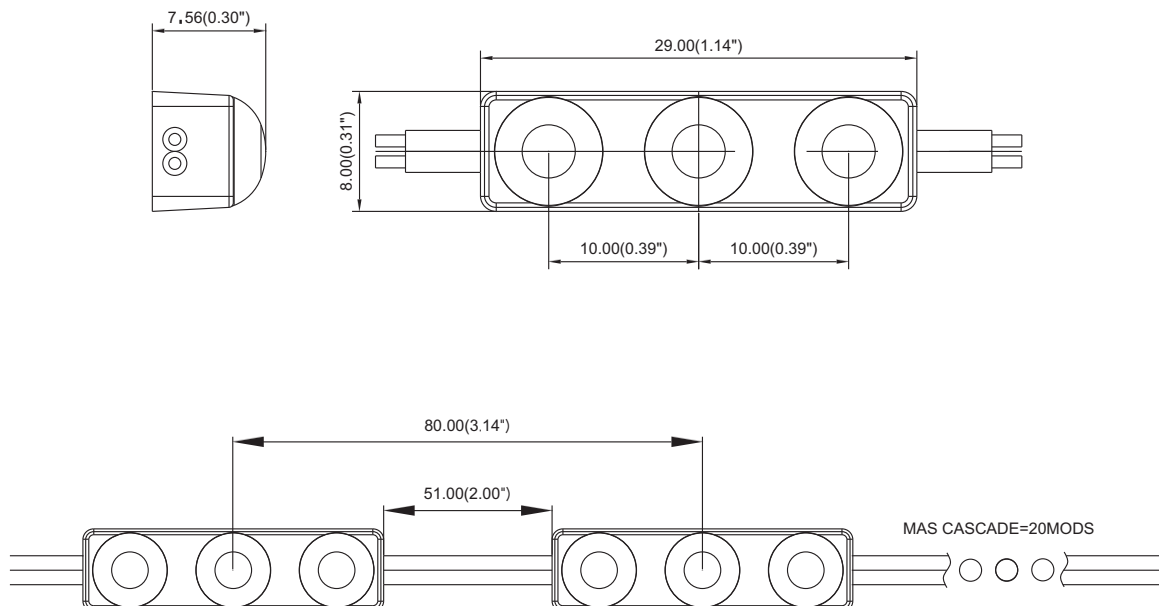
Suitable for small letters with very different shapes

Constant Voltage , 3 years warranty

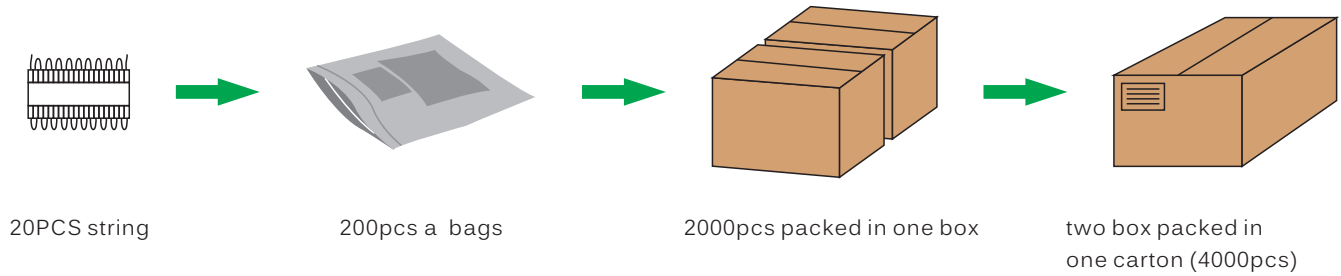
Parameter

Dimension	29*8*7.56 mm / 1.14*0.31*0.30"
Power (w)	0.6±10%
Driving mode	Constant Voltage
CCT (k)	3000/6500/15000
Luminous Flux (lm)	57/63/69
Efficiency (lm/w)	95/105/115
Concatenation (pcs)	20
Module/ft(modules)	3.3
Lumen/ft(lm)	228
Watts/ft(w)	2
60W Power Supply Load(modules)	85
Working temp (°)	-20~ +45
Storage temp (°)	-30~ +60

Profile Drawings

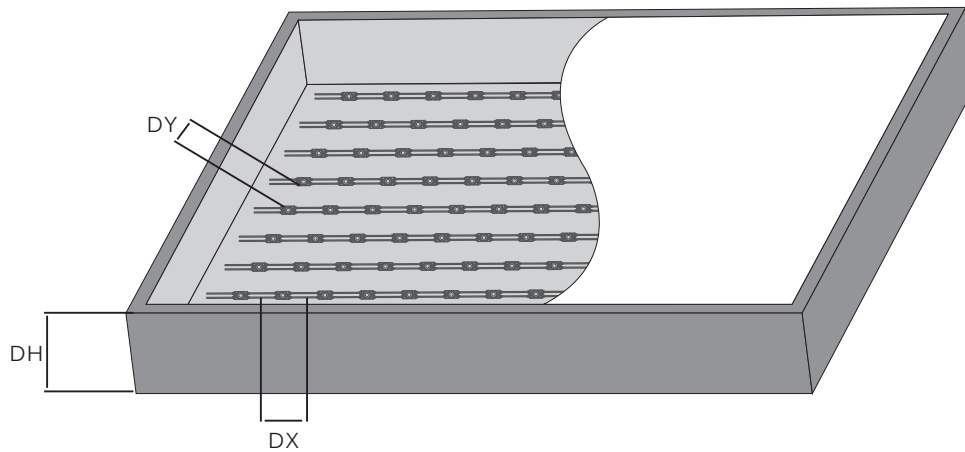


Package



Size(mm)	Gross Weight (KG)	Net Weight (KG)
530*375*275	17.3	14

Installation



Light box thickness DH(mm)	Module horizontal distance DX(mm)	Module vertical distance DY(mm)	Modules average in 1m ² (pcs/m ²)	Surface illumination (lux)
50	60	50	1100	7100